



Expect luxury & innovation with the Lux-V series!

Built with the latest full DC inverter technology and fast and efficient automatic defrosting, the Lux-V Series can handle any heating or cooling requirement - all year round.

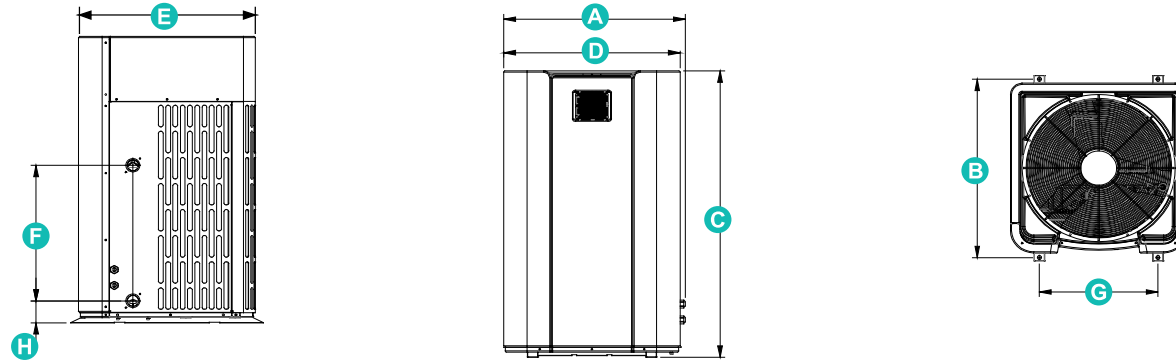
Its stylish ABS and metal cabinet can withstand harsh weather conditions, while the vertical air discharge provides efficient airflow and space saving installation options.

The Lux V Series is packed with premium features, like its intelligent LCD touch screen controller, smart operating modes and wi-fi control.

- Stylish ABS & galvanised cabinet: durable against harsh weather conditions.
- Intelligent Controller: 4 smart operating modes
- C.O.P of up to 14.2
- Vertical air discharge
- Latest DC full inverter technology including compressor, fans & control
- Wi-Fi Control: control your pool heater anywhere, anytime.

Performance		Heating	Heating	Cooling
		Winter	Summer	Summer
Ambient Air Temp.	°C	15	27	35
Entering Water Temp.	°C	26	26	30
Heating/Cooling Capacity	kW	6.5~22.5	10.4~32.0	13.03
Consumed Power	kW	0.88~5.0	0.77~4.92	4.73
C.O.P.		7.4~4.45	13.5~6.5	2.75
Power Supply		380-415/3/50		
Air Flow	m ³ /h	3500-4500		
Compressor	Type		Brand	No.
		Rotary	Panasonic	1
Heat Exchanger	Material		Type	Spiral (Twisted)
		Titanium	Tube in shell	Yes
Fan	No.	Power Input	Speed	Direction
	1	250 W	600-800 RPM	Vertical
Operating Air Temp.	°C	-15 to 43		
Max. Rated Input Power	kW	7.1		
*Running Current at 100%	A	13.08		
Refrigerant		R32		
Casing Type		ABS front/galvanized steel rear		
Connection Type		Hardwired		
Defrost		Auto Defrost (Reverse Cycle)		
Moisture Resistance		IPX4		
Noise (1M)	dB(A)	48-60		
Noise (10M)		20-32		
Water Connection	mm	40		
Water Flow Volume	L/min	200		
Water Pressure Drop (max)	kPa	23.8		
Net Weight	kg	130		
Net Dimensions (LxWxH)	mm	774 x 796 x 1267		

*Running current does not include load of circulation pump.



Unit:	A (L)	B (W)	C (H)	D	E	F	G	H
mm	774	796	1267	749	749	600	505	97.4

PERFORMANCE CURVES

